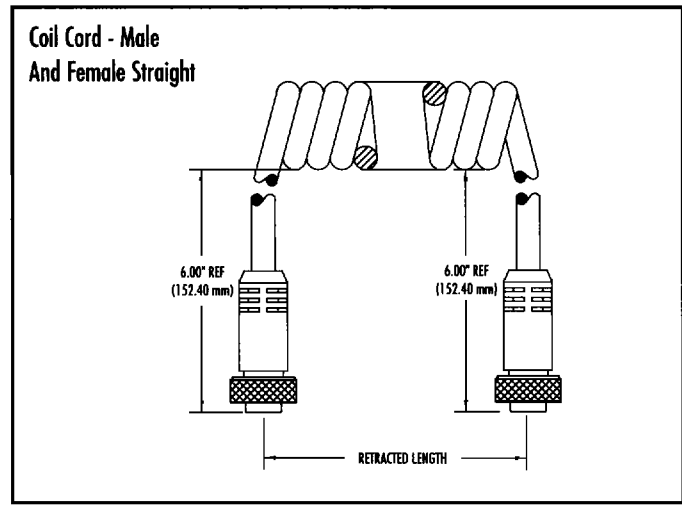
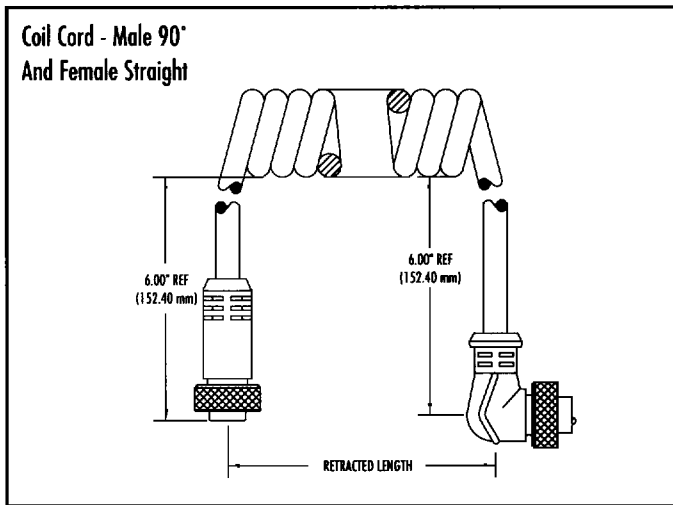


Step 2: Mini-Change® Male/Female Cable Assembly

Product Specifications

<p>MECHANICAL</p> <p>INSERT MATERIAL: PVC</p> <p>MOLDED BODY MATERIAL: PVC</p> <p>CONTACT MATERIAL: BRASS</p> <p>CONTACT PLATING: GOLD - 5μ. IN. (MIN) PALLADIUM/NICKEL - 20μ. IN. (MIN)</p> <p>COUPLING NUT MATERIAL: ZINC DIECAST EPOXY-COAT</p> <p>CABLE TYPE(S): 18 AWG PVC</p> <p>CABLE STRANDING: 65 X #34, FINE</p> <p>CABLE DIAMETERS: 3 POLE - .41" 4 POLE - .44" 5 POLE - .51"</p>	<p>ELECTRICAL</p> <p>VOLTAGE RATING: 600V</p> <p>CURRENT RATING: 3 POLE - 13A, 4 POLE - 10A, 5 POLE - 8A</p> <p>CONTACT RESISTANCE: $\leq 5m\Omega$ (AFTER 100 MATE/UNMATE CYCLES - PER MIL STD. 1344, 3004.1)</p> <p>ISOLATION RESISTANCE: $\geq 1000M\Omega$</p> <p>ENVIRONMENTAL</p> <p>PROTECTION: IP 68 NEMA 6P - PER NEMA STD. 250</p> <p>AMBIENT OPERATING TEMPERATURE: -20°C TO 105°C</p> <p>CERTIFICATIONS</p> <p>UL: UL RECOGNIZED, FILE NO. E46237</p> <p>CSA: CSA CERTIFIED, FILE NO. LR6837</p> <p>VDE: SPACINGS TO VDE 0110 GROUP C (250VAC/300VDC)</p>
---	--



MINI-CHANGE® MALE/FEMALE CABLE ASSEMBLY MATRIX

DESCRIPTION	FACE VIEW-MALE	CABLE LENGTH ft / meters (m)	MALE STR/ FEMALE STR	MALE 90°/ FEMALE STR	18 AWG COIL CORD EXTENSION CABLES (2 FT. RETRACTED, 6 FT. EXTENDED)	
					MALE STR/ FEMALE STR	MALE 90°/ FEMALE STR
3 POLE		1.5 ft/ .46m	61945	60980	60963	60964
		3 ft/ .91m	40973	60997		
		6 ft/1.83m	41018	60999		
4 POLE		1.5 ft/ .46m	61130	61121	N/A	N/A
		3 ft/ .91m	41119	61122		
		6 ft/1.83m	41120	61123		
5 POLE		1.5 ft/ .46m	61340	61301	N/A	N/A
		3 ft/ .91m	41319	61302		
		6 ft/1.83m	41320	61303		

Notes

Step 3: MPIS® to Controller Cable Assembly

MINI-CHANGE® AND DUAL KEYWAY MICRO-CHANGE® MPIS-TO-CONTROLLER CABLE ASSEMBLY
(FOR USE WITH DUAL KEYWAY MICRO-CHANGE OR MINI-CHANGE)

DESCRIPTION	CABLE LENGTH ft/meters (m)	16 AWG FEMALE PLUG	16 AWG MALE/FEMALE CABLE ASSEMBLY	FEMALE RECEPTACLE WITH 12" LEAD
3 POLE FOR USE WITH: 409P403 702P403 409P603 702P603 409P803 702P803	6 ft/1.83m	40902	41018	40910
	12 ft/3.66m	40903	40946	
	20 ft/6.10m	40974	40945	
	25 ft/7.62m	40935	41002	
	30 ft/9.14m	40944	61937	
6 POLE FOR USE WITH: 409P401 411P401 702P401	6 ft/1.83m	41602	41621	41607
	12 ft/3.66m	41603	41622	
	20 ft/6.10m	41623	41625	
	25 ft/7.62m	41636	41647	
	30 ft/9.14m	41637	41648	
7 POLE FOR USE WITH: 410P401 712P401	6 ft/1.83m	42802	42819	42807
	12 ft/3.66m	42803	42820	
	20 ft/6.10m	42821	42866	
	25 ft/7.62m	42834	42867	
	30 ft/9.14m	42850	42856	
8 POLE FOR USE WITH: 409P601 411P601 702P601	6 ft/1.83m	43002	43015	43007
	12 ft/3.66m	43003	43067	
	20 ft/6.10m	43062	43073	
	25 ft/7.62m	43060	43074	
	30 ft/9.14m	43072	43079	
9 POLE FOR USE WITH: 410P601 712P601	6 ft/1.83m	47002	47051	47007
	12 ft/3.66m	47003	47052	
	20 ft/6.10m	47043	47025	
	25 ft/7.62m	47011	47054	
	30 ft/9.14m	47053	47055	
10 POLE FOR USE WITH: 409P801 413P401 702P801 413P411 411P801	6 ft/1.83m	47202	47224	47207
	12 ft/3.66m	47203	47250	
	20 ft/6.10m	47239	47212	
	25 ft/7.62m	47243	47251	
	30 ft/9.14m	47249	47252	
12 POLE FOR USE WITH: 410P801 712P801	6 ft/1.83m	47402	47413	47407
	12 ft/3.66m	47403	47446	
	20 ft/6.10m	47449	47424	
	25 ft/7.62m	47431	47481	
	30 ft/9.14m	47480	47467	

REFERENCE FOR DIMENSIONAL INFORMATION:

FOR 3 POLE PLUGS AND CABLE ASSEMBLY, SEE PAGE 12. FOR 3 POLE RECEPTACLES, SEE PAGE 18.

FOR 6 - 8 POLE PLUGS AND CABLE ASSEMBLY, SEE PAGE 22. FOR 6-8 POLE RECEPTACLES, SEE PAGE 24

FOR 9, 10 AND 12 POLE PLUGS AND CABLE ASSEMBLY, SEE PAGE 26. FOR 9, 10 AND 12 POLE RECEPTACLES, SEE PAGE 28.

Step 3: MPIS® to Controller Cable Assembly

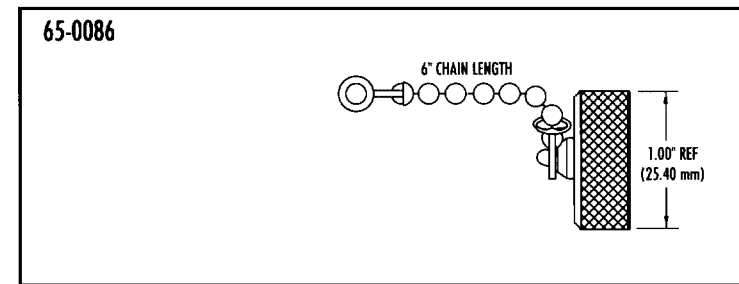
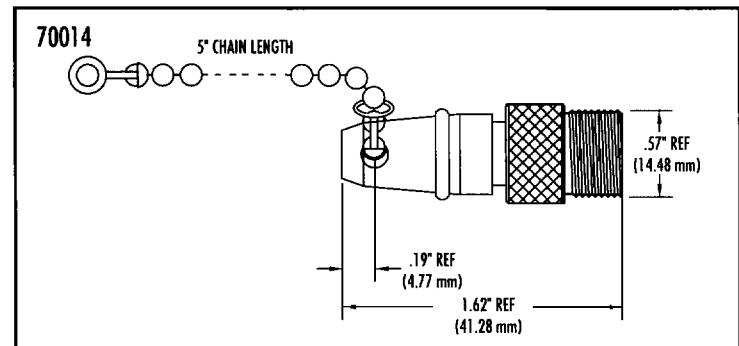
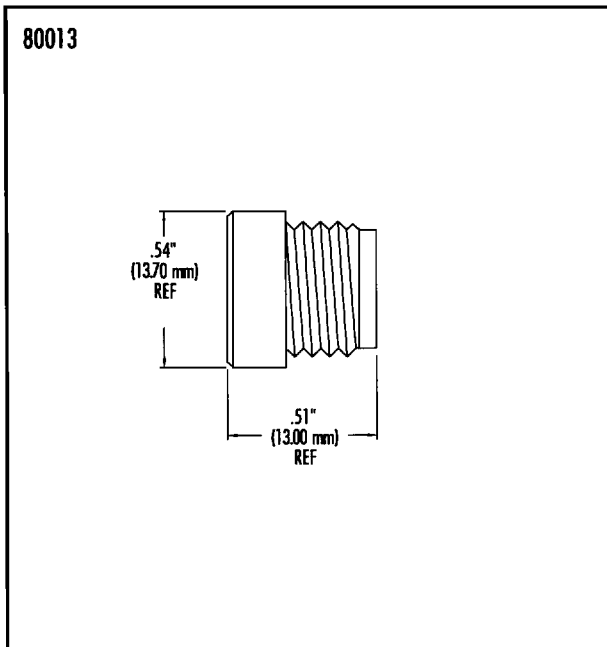
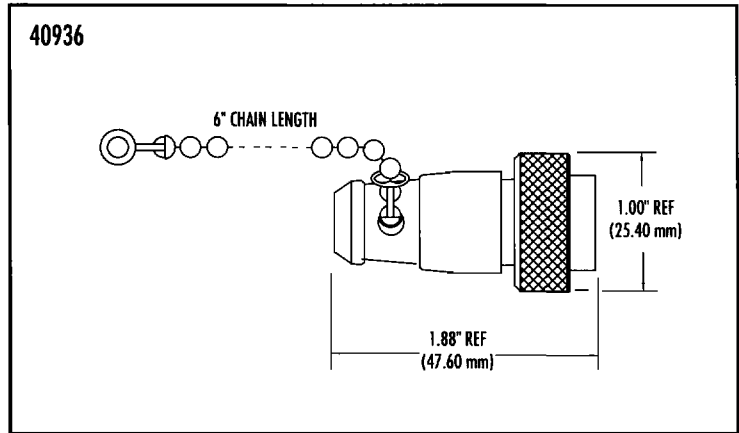
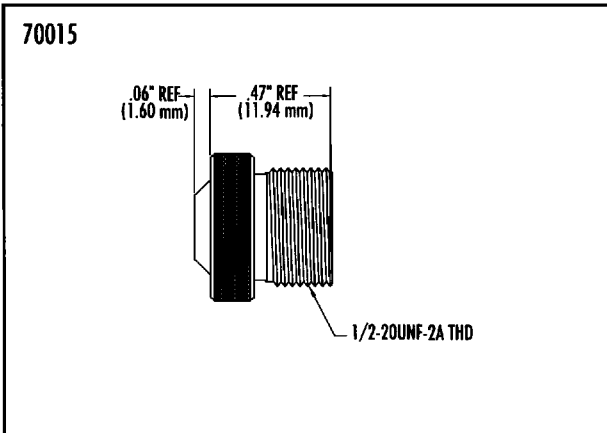
MICRO-CHANGE® MPIS BASE UNIT-TO-CONTROLLER CABLE ASSEMBLY MATRIX (FOR USE WITH SINGLE KEYWAY MICRO-CHANGE MPIS ONLY)

DESCRIPTION	CABLE LENGTH ft/meters (m)	22 AWG FEMALE PLUG	22 AWG MALE/FEMALE CABLE ASSEMBLY	FEMALE RECEPTACLE WITH 12" LEAD
6 POLE MINI-CHANGE FOR USE WITH 803N402, 803P402	16.4 ft/5m	41653	41655	41657
	32.8 ft/10m	41654	41656	
8 POLE MINI-CHANGE FOR USE WITH 803N602, 803P602	16.4 ft/5m	43075	43077	43080
	32.8 ft/10m	43076	43078	
10 POLE MINI-CHANGE FOR USE WITH 803N802, 803P802	16.4 ft/5m	47247	47254	47256
	32.8 ft/10m	47248	47255	

For 90° cable assemblies - consult factory

DESCRIPTION	CABLE LENGTH	FEMALE PLUG STRAIGHT	FEMALE PLUG 90°	MALE/FEMALE CABLE ASSEMBLY STRAIGHT	MALE/FEMALE CABLE ASSEMBLY 90° FEMALE	FEMALE RECEPTACLE
12 POLE MINI-CHANGE FOR USE WITH BTY401N-FBB BTY401P-FBB BTY801N-FBB BTY801P-FBB	5 METERS	47527	47527-90	47529	47532	47534
	10 METERS	47528	47528-90	47530	47533	

Step 4: MPIS® Accessory Products



DESCRIPTION	MINI-CHANGE®	DUAL KEYWAY MICRO-CHANGE®	SINGLE KEYWAY MICRO-CHANGE
CLOSURE CAP	65-0086	70015	80013
SHORTING PLUG (PIN 2 TO 3)	40936	70014	N/A